

Motor Type AC CENTRIFUGAL FORWARD CURVED FAN 140 x 59

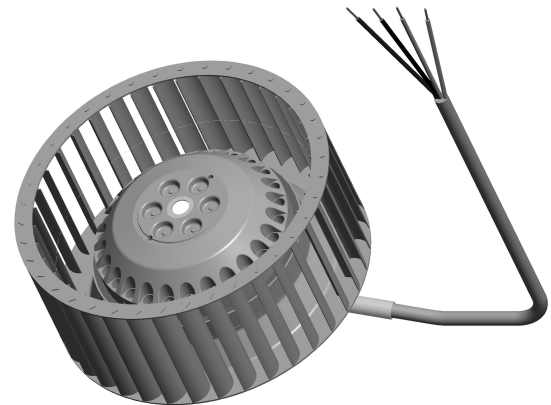
Code: 20-580353

Project code:

Supply	Poles	Speed	Stator	Impeller Type		
230 V	50/60 Hz	~ 1	2	1	M15	Centrifugal Forward Curved Blade single inlet

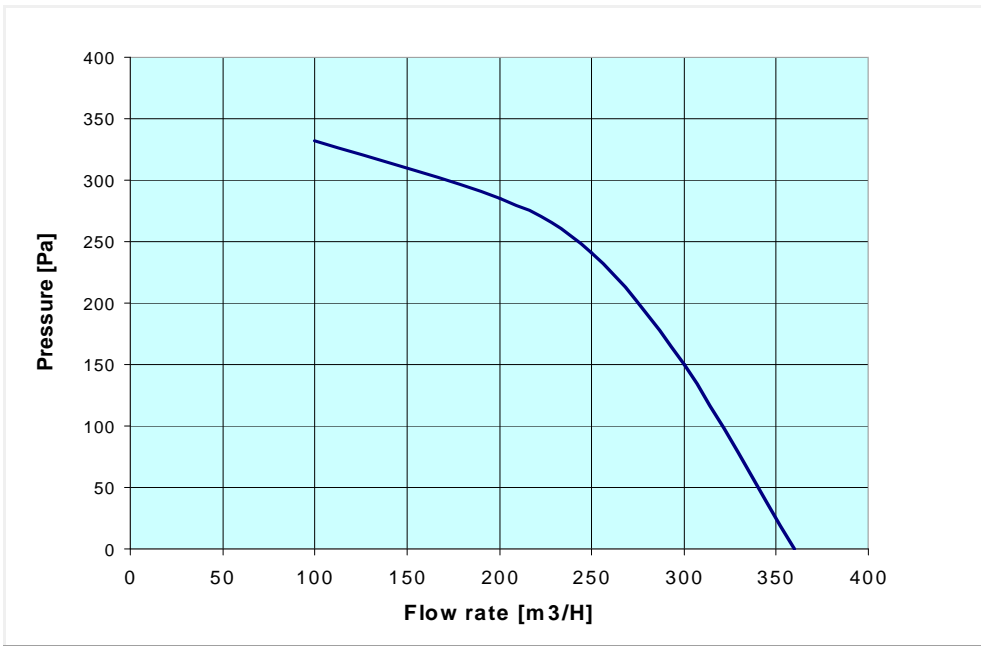
Nominal Data

Nominal voltage	[V]	230
Frequency	[Hz]	50/60
Speed	[rpm]	2225
Power input	[kW]	0.08
Current draw	[A]	0.36
cos φ	[-]	0.97
Max Efficiency (stat A)	[%]	19.8
Efficiency Grade (N)	[-]	33.0
Capacitor	[μF]	2
	[V]	450



Technical Features

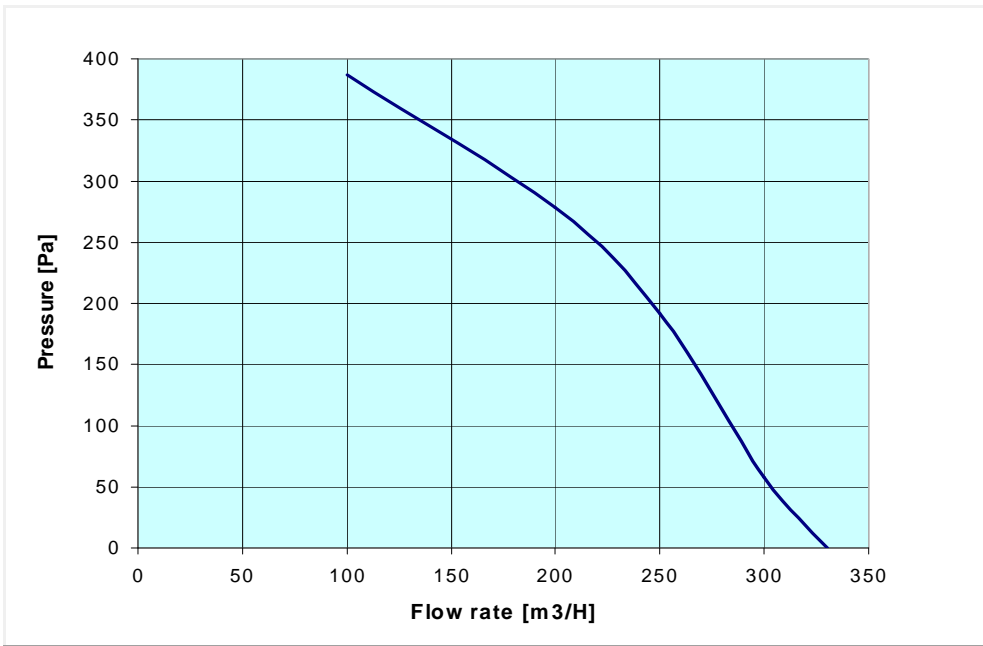
	50 Hz	60 Hz	Temperature Rise			
Max. operating temperature	[°C]	45	45	Test Setup @ 244 V		
	[°F]	113	113	50 Hz	60 Hz	
Min. operating temperature	[°C]	-30		Working Point		
	[°F]	-22		ΔT Main [K]	63	48
Air flow @ 0 Pa	[m³/h]	360		ΔT Aux [K]	71	62
Thermal protector	Automatic Reset		Working Point			
Insulation class	B		ΔT Main [K]	72	83	
Motor bearing	Ball bearing		ΔT Aux [K]	73	83	
Protection level	IP33					
Product compliant to	CE; EN 60335-1					
Approval	CSA on request					
	VDE on request					
Rotation (seen on rotor side)	Clockwise					
Impeller size (Ø x h)	[mm]	140 x 59				
Impeller material	Metal					
Weight	[kg]	1.25				
Cable lenght	[mm]	450				
Condensate discharge holes (on rotor side)	NO					
ERP compliant	ERP 2015					



TEST SETUP:

Scroll competitor G4E-140-AB01-01

Supply		Speed	Power	Current	Efficiency	Flow rate	Pressure	Flow rate	Pressure
[V]	[Hz]	[rpm]	[W]	[A]	[%]	[m ³ /h]	[Pa]	[cfm]	[in_H ₂ O]
230	50	2500	72	0.34	12.8	100	332	59	1.333
230	50	2225	80	0.36	19.8	200	285	118	1.144
230	50	1800	92	0.41	13.6	300	150	177	0.602
230	50	1450	98	0.43	0.0	360	0	212	0.000
230	50	0	110	0.48	Locked rotor test				

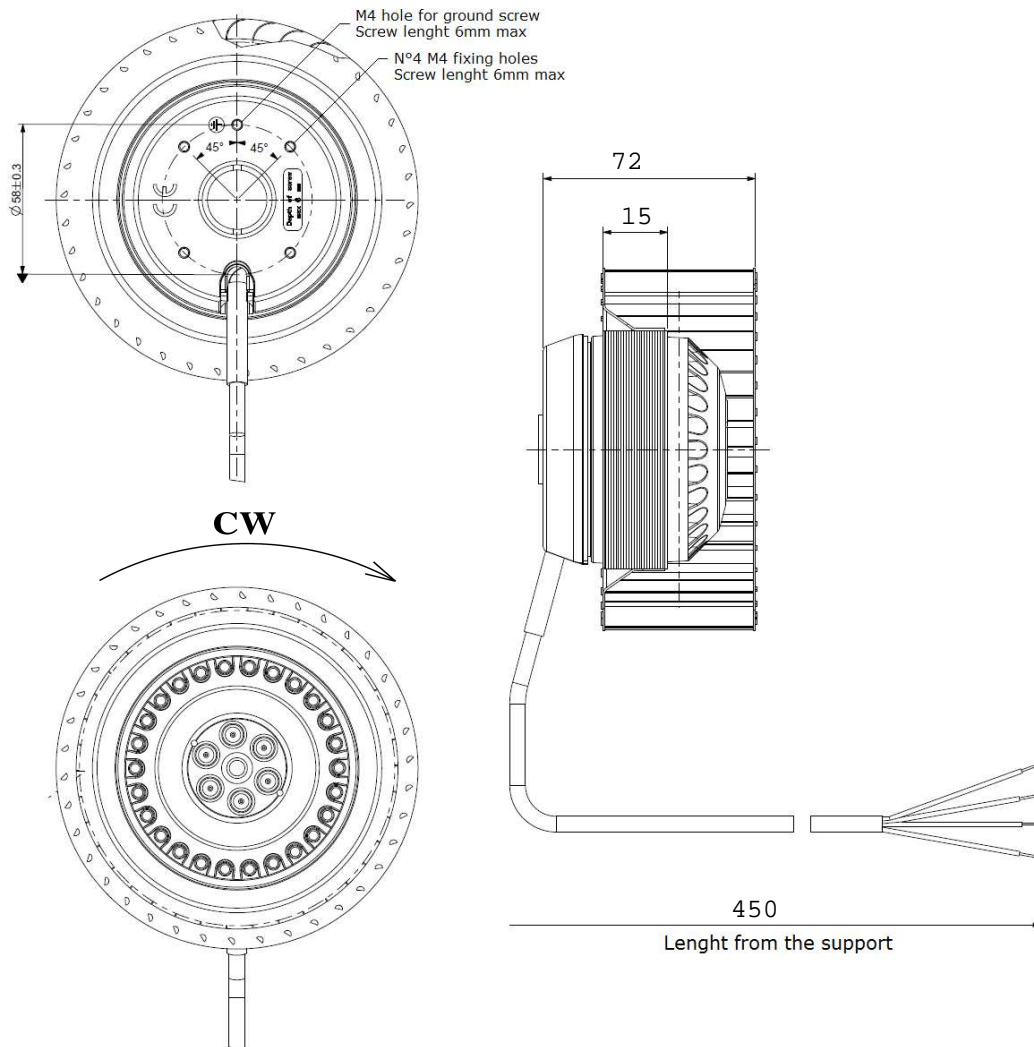


TEST SETUP:
 Scroll competitor G4E-140-AB01-01

Supply		Speed	Power	Current	Efficiency	Flow rate	Pressure	Flow rate	Pressure
[V]	[Hz]	[rpm]	[W]	[A]	[%]	[m³/h]	[Pa]	[cfm]	[in_H ₂ O]
230	60	2725	91	0.40	11.8	100	387	59	1.554
230	60	2200	100	0.44	15.4	200	278	118	1.116
230	60	1510	105	0.46	4.6	300	58	177	0.233
230	60	1315	106	0.47	0.0	330	0	194	0.000
230	60	0	114	0.49	Locked rotor test				

Overall Dimensions

20-580353



Wiring Diagram

